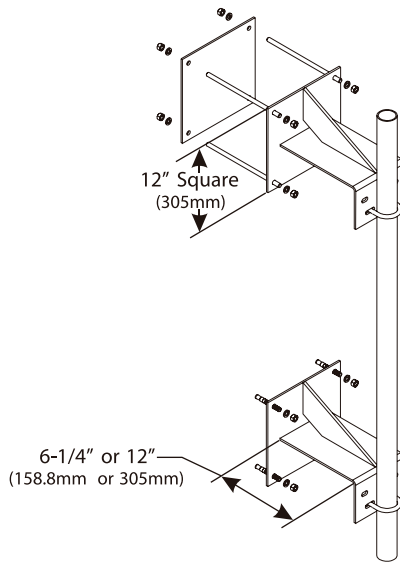


## adjustable wall mounts

**Application:** Rooftop  
**Size:** 12" (304.8 mm) square plate, 6-1/4" or 12" depth  
**Design:** Welded dual brackets  
**Feature:** Variable spacing flexibility  
**Mounts to:** Versions for hollow or solid walls  
**Material:** Hot dip galvanized steel  
**Includes:** Two wall brackets and backing plates or anchors  
**Order Separately:** U-bolts and 2-3/8" or 4-1/2" OD (60.3 mm or 114.3 mm) pipe



### Ordering Information

Part Number	Description	Wt. lb	Wt. kg	Kit Qty.
-------------	-------------	--------	--------	----------

#### Adjustable Wall Mounts 6" Stand-off, Hollow, or Solid Wall

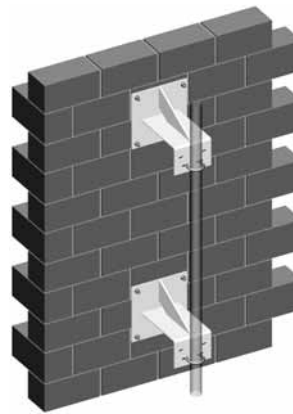
MT221	Adjustable Wall Mount for Hollow Walls with 6" stand-off, includes backing plates	68.6	31.1	Kit of 2
MT222	Adjustable Wall Mount for Solid Walls with 6" stand-off, includes wall anchors	45.5	20.6	Kit of 2

#### Adjustable Wall Mounts 12" Stand-off, Hollow, or Solid Wall

MT221L	Adjustable Wall Mount for Hollow Walls with 12" stand-off, includes backing plates	75.3	34.2	Kit of 2
MT222L	Adjustable Wall Mount for Solid Walls with 12" stand-off, includes wall anchors	50.7	23.0	Kit of 2

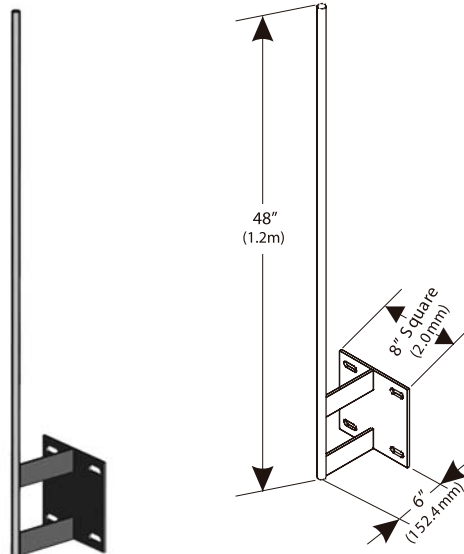
#### Optional Backing Plate

MT223	Backing Plate Kit (optional)	23.1	10.5	Kit of 2
-------	------------------------------	------	------	----------



## GPS antenna wall mount

**Application:** Rooftop  
**Size:** 3/4" OD x 48" (19.1 mm x 1.2 m)  
**Design:** Welded mount with 6" (152.4 mm) stand-off  
**Feature:** Threaded end for GPS antennas  
**Mounts to:** Walls  
**Material:** Hot dip galvanized steel  
**Includes:** Mount  
**Order Separately:** Anchoring hardware



### Ordering Information

Part Number	Description	Wt. lb	Wt. kg	Kit Qty.
-------------	-------------	--------	--------	----------

VC-GPSWM	GPS Antenna Wall Mount, 3/4" OD x 48" (19.1 mm x 1.2 m)	10.5	4.8	Each
----------	---	------	-----	------